

1013/2013. The automotive engine.

125 - 235 kW at 2300 min⁻¹



The characteristics of the 1013/2013:

Liquid-cooled 4- and 6-cylinder in-line engine.

Turbocharged and intercooled.

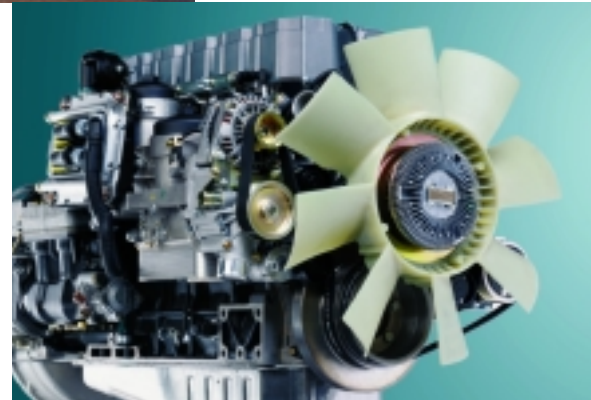
Adapted technology application for a low emission combustion with mechanical or fully electronic controlled injection systems:

- EURO III with DEUTZ MV-System®
- EURO IV with DEUTZ Common-Rail-System® combined with exhaust gas after-treatment.

Gear-driven various PTO capabilities. High-end type with high power-to-volume-ratio of up to 33 kW/l

Compact dimensions and high power-to-weight-ratio.

Long maintenance intervals and easy access to all maintenance relevant parts.



Your benefits:

- ▶ Increased vehicle loading capacity.
- ▶ High torque and high specific output for easy starting even under full load.
- ▶ Low installation costs as a result of low space requirements.
- ▶ High operating economy as a result of low fuel consumption and long service intervals.
- ▶ Low noise level better for driver and environment. Vehicle-specific requirements can be realised cost effectively, based on series options.
- ▶ Clean combustion, no smoke or odours. Meets emission standards EURO II, III, IV.

► Technical data

Engine type		BF4M 1013FC	BF6M 1013EC	BF6M 1013FC	TCD2013 L4 4V	TCD2013 L6 4V
Number of cylinders		4	6	6	4	6
Bore/stroke	mm	108/130	108/130	108/130	108/130	108/130
Displacement	l	4.76	7.14	7.14	4.76	7.14
Compression ratio		17.5	17.5	17.5	18	18
Mean piston speed	m/s	9.97	9.97	9.97	9.97	9.97

Power ratings for commercial vehicles

Emission level EURO IV

Power rating to ISO 1585	kW				158	235
at speed	min ⁻¹				2300	2300
max. torque	Nm				800	1200
at speed	min ⁻¹				1200	1200

Emission level EURO III

Power rating to ISO 1585	kW	140		210		
at speed	min ⁻¹	2300		2300		
max. torque	Nm	700		1050		
at speed	min ⁻¹	1400		1400		

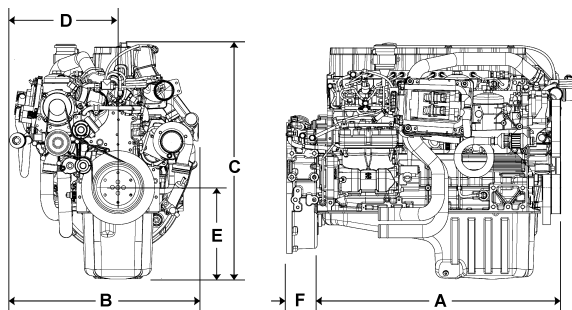
Emission level EURO II

Power rating to ISO 1585	kW	125	174	200		
at speed	min ⁻¹	2400	2300	2300		
max. torque	Nm	577	854	1050		
at speed	min ⁻¹	1600	1400	1400		

Weight to DIN 70020, part 7A	kg	432	572	572	500	650
------------------------------	----	-----	-----	-----	-----	-----

The values given in this datasheet are for information purposes only and are not binding. The information given in the offer is decisive. The engine picture does not correspond to a standard engine.

► Dimensions



Engine	A	B	C	D	E	F
BF4M1013FC	740	616	897	290	355	122
BF6M1013EC	1024	622	897	290	355	122
BF6M1013FC	1024	622	897	290	355	122
TCD2013L4 4V	894	787	919	453	309	122
TCD2013L6 4V	1192	815	993	437	383	122

Dimensions in mm

The engine company.

